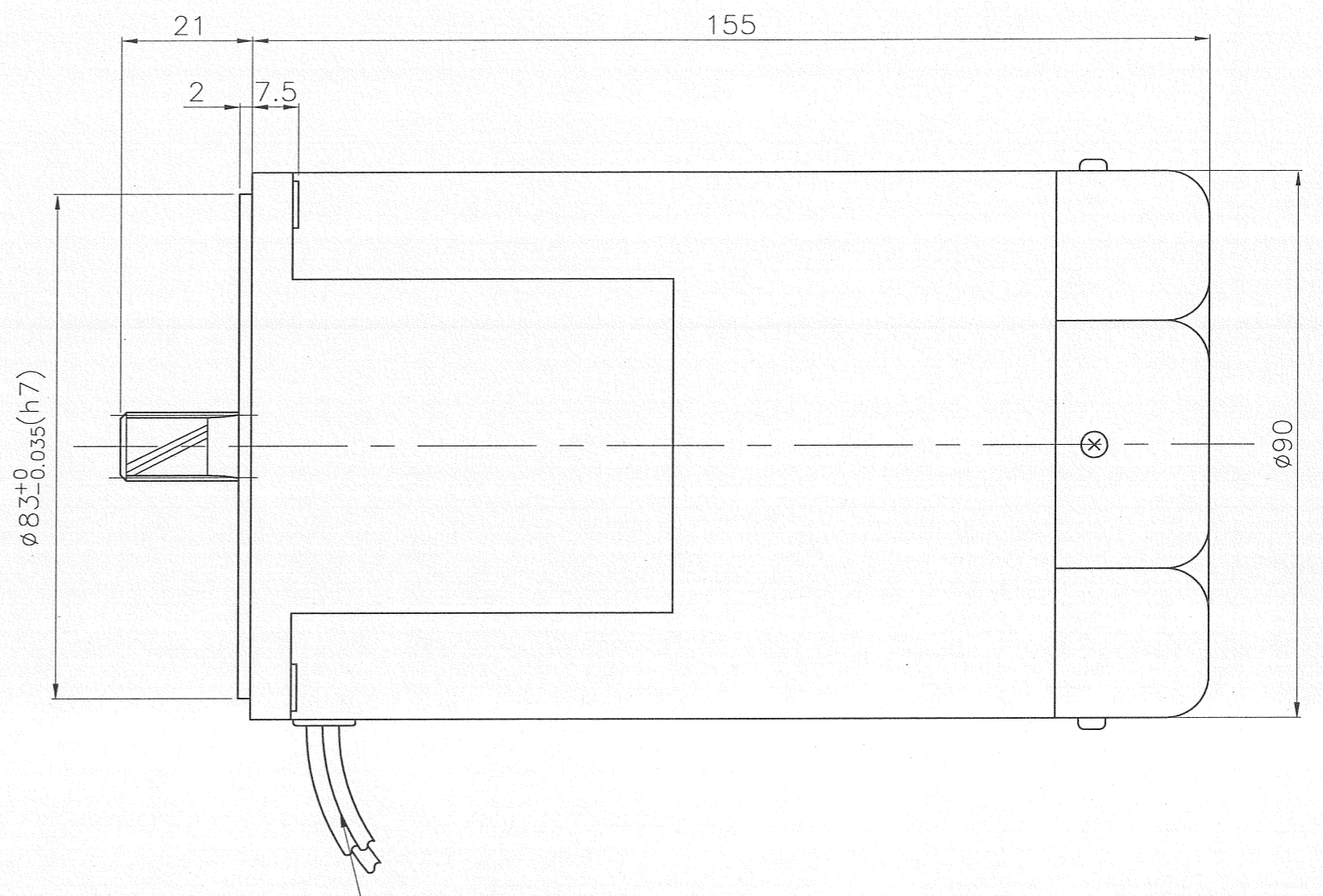
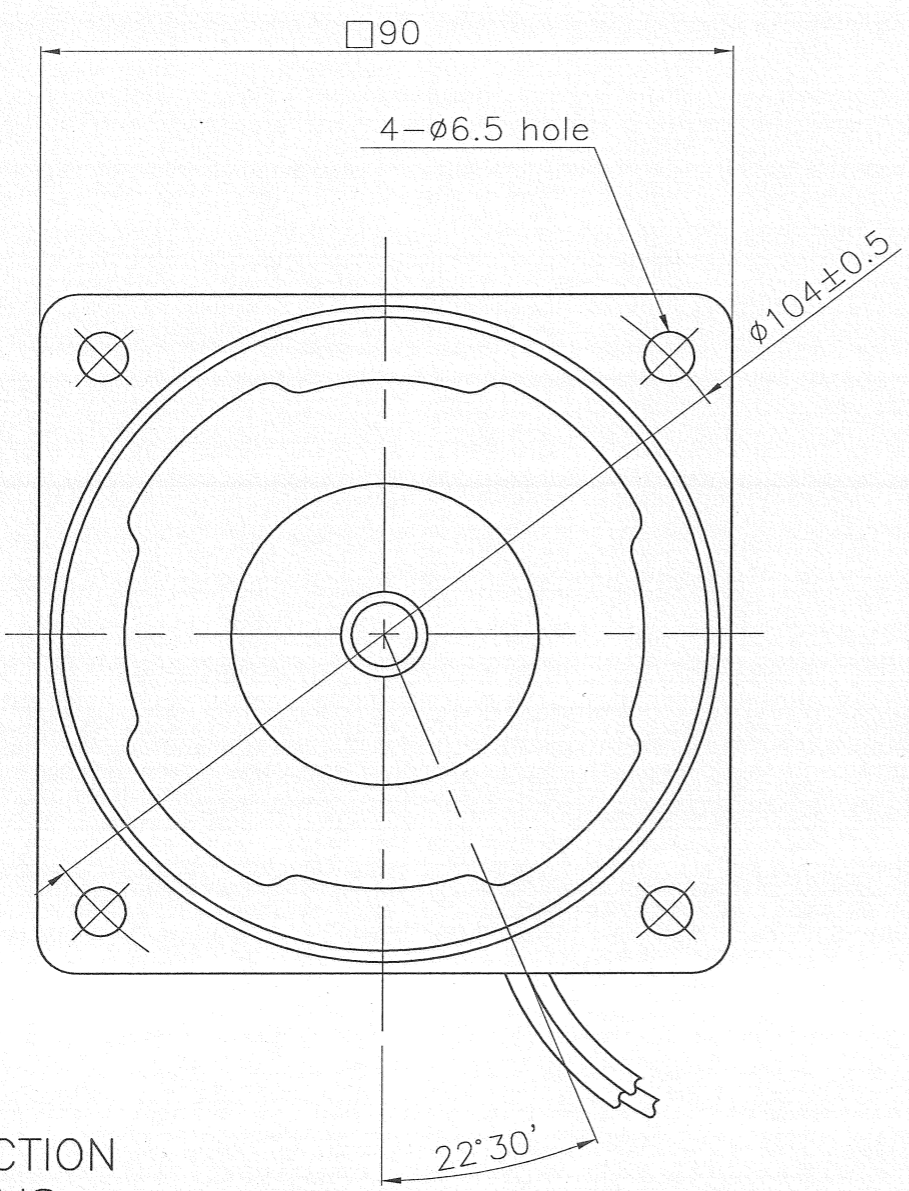


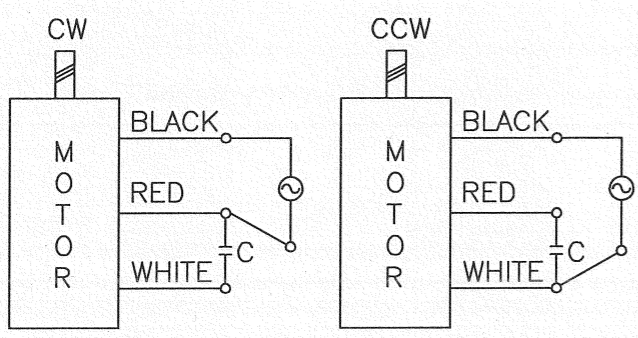
No.	REMARK	REVISION No.	SIGN



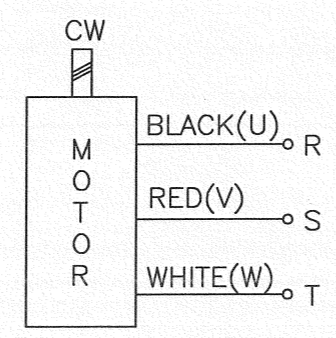
MOTOR LEAD WIRE 300mm
UL Style 3271 , AWG20

CONNECTION DIAGRAMS

SINGLE-PHASE MOTOR



THREE-PHASE MOTOR

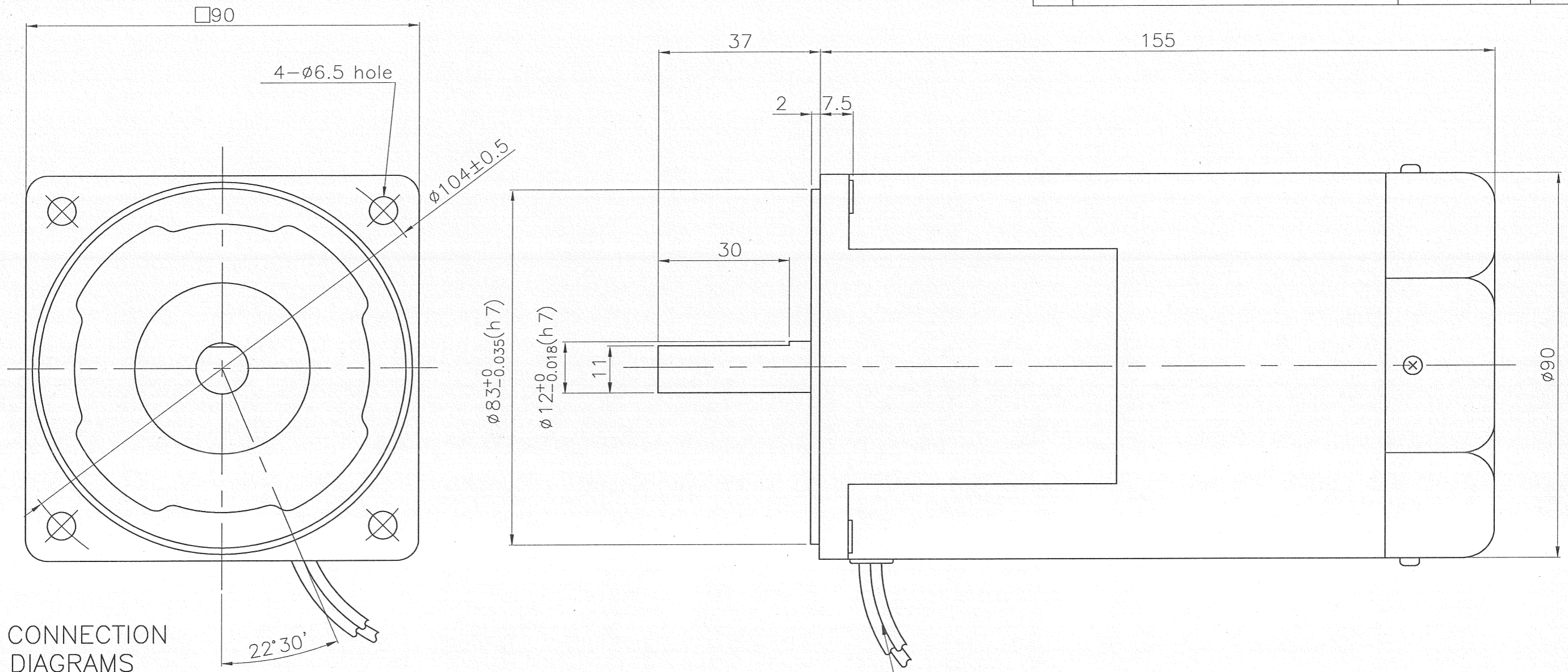


CCW :
To change
any two connections
among U, V and W.

- * CW=Clock Wise, CCW=Counter Clock Wise
- * The Direction of motor rotation is as viewed from the front shaft end of the motor.
- * C = Capacitor = Condenser

DRAW	12. 11. 7	SCALE : 1/1	PART NAME
DESIGNED		UNIT : mm	OUTLINE
CHECKED			APPLICATION MODEL
APPROVED			K9IP180F□, K9RP180F□, K9IP200F□ K9IP200F□-2P
			DWG NO.
GLOBAL GEARED MOTOR			2-OL-00032

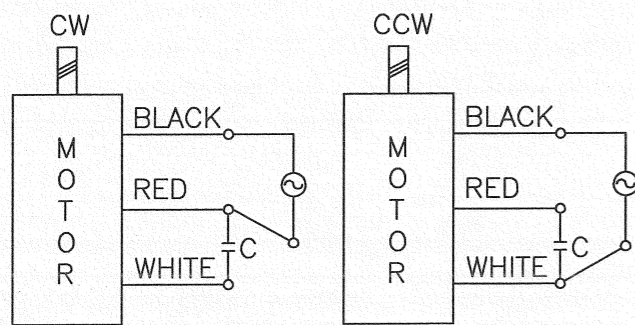
No.	REMARK	REVISION No.	SIGN



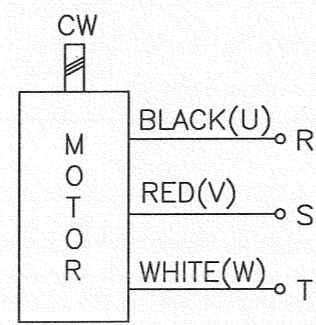
MOTOR LEAD WIRE 300mm
UL Style 3271, AWG20

CONNECTION DIAGRAMS

SINGLE-PHASE MOTOR



THREE-PHASE MOTOR

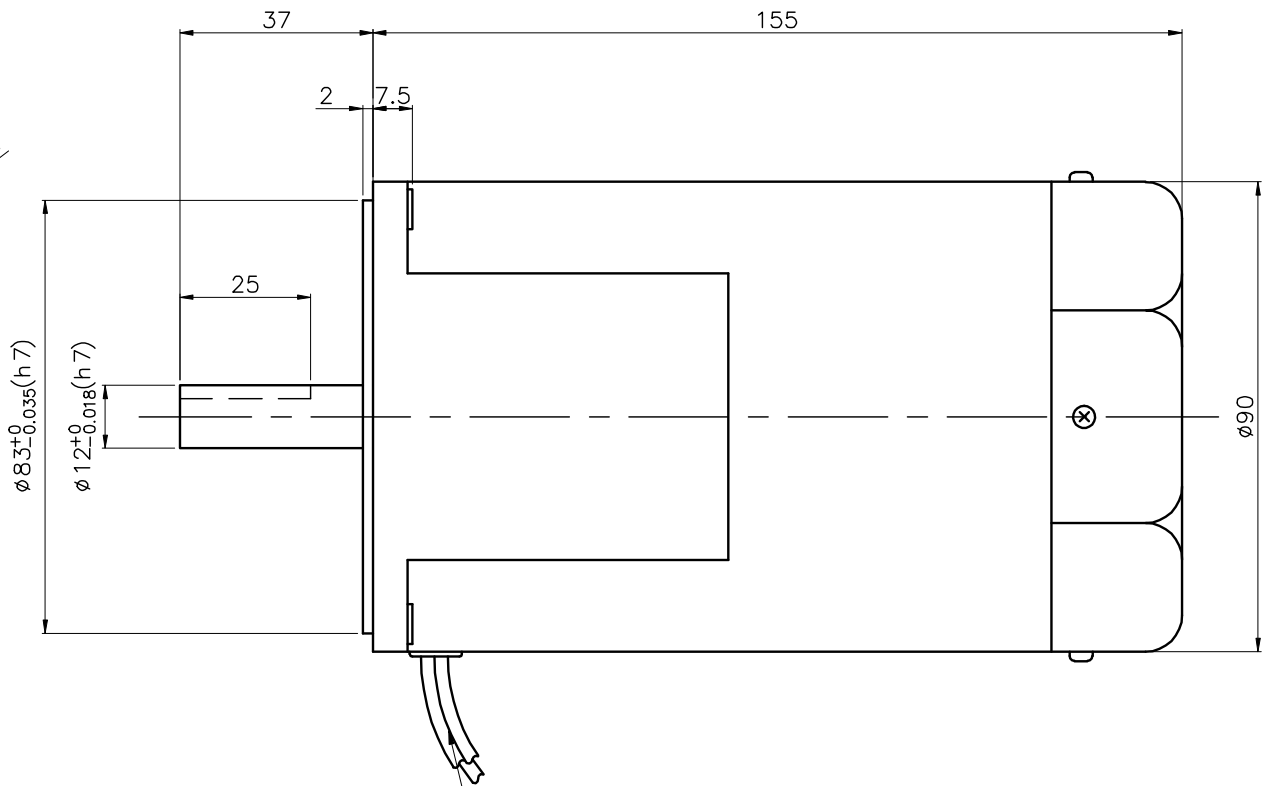
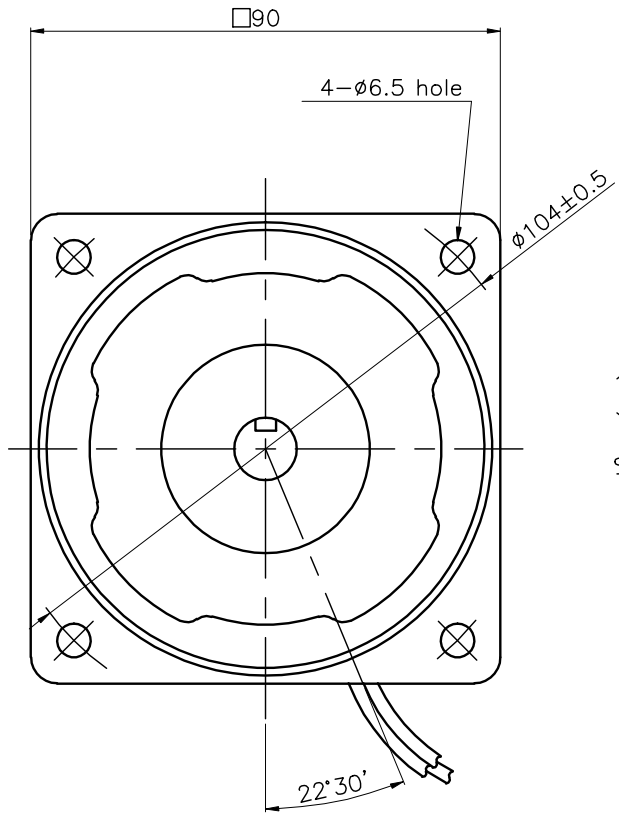


CCW :
To change
any two connections
among U, V and W.

- * CW=Clock Wise, CCW=Counter Clock Wise
- * The Direction of motor rotation is as viewed from the front shaft end of the motor.
- * C = Capacitor = Condenser

DRAW	12. 11. 7	SCALE : 1/1	PART NAME
DESIGNED		UNIT : mm	OUTLINE
CHECKED			APPLICATION MODEL
APPROVED			K9IS180F□, K9IS180F□-2P, K9RS180F□ K9IS200F□, K9IS200F□-2P
		RELATION DWG.	DWG NO.
GLOBAL GEARED MOTOR			2-0L-00033

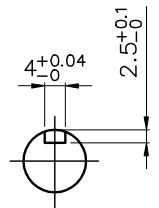
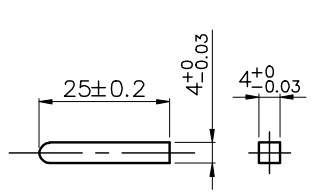
No.	REMARK	REVISION No.	SIGN



MOTOR LEAD WIRE 300mm
UL Style 3271, AWG20

◎ KEY

◎ KEY GROOVE



DRAW		SCALE : 1/1	PART NAME
DESIGNED		UNIT : mm	OUTLINE
CHECKED			APPLICATION MODEL
APPROVED			K9IK180F□, K9RK180F□, K9IK200F□
		RELATION DWG.	DWG NO.
			2-OL-00991