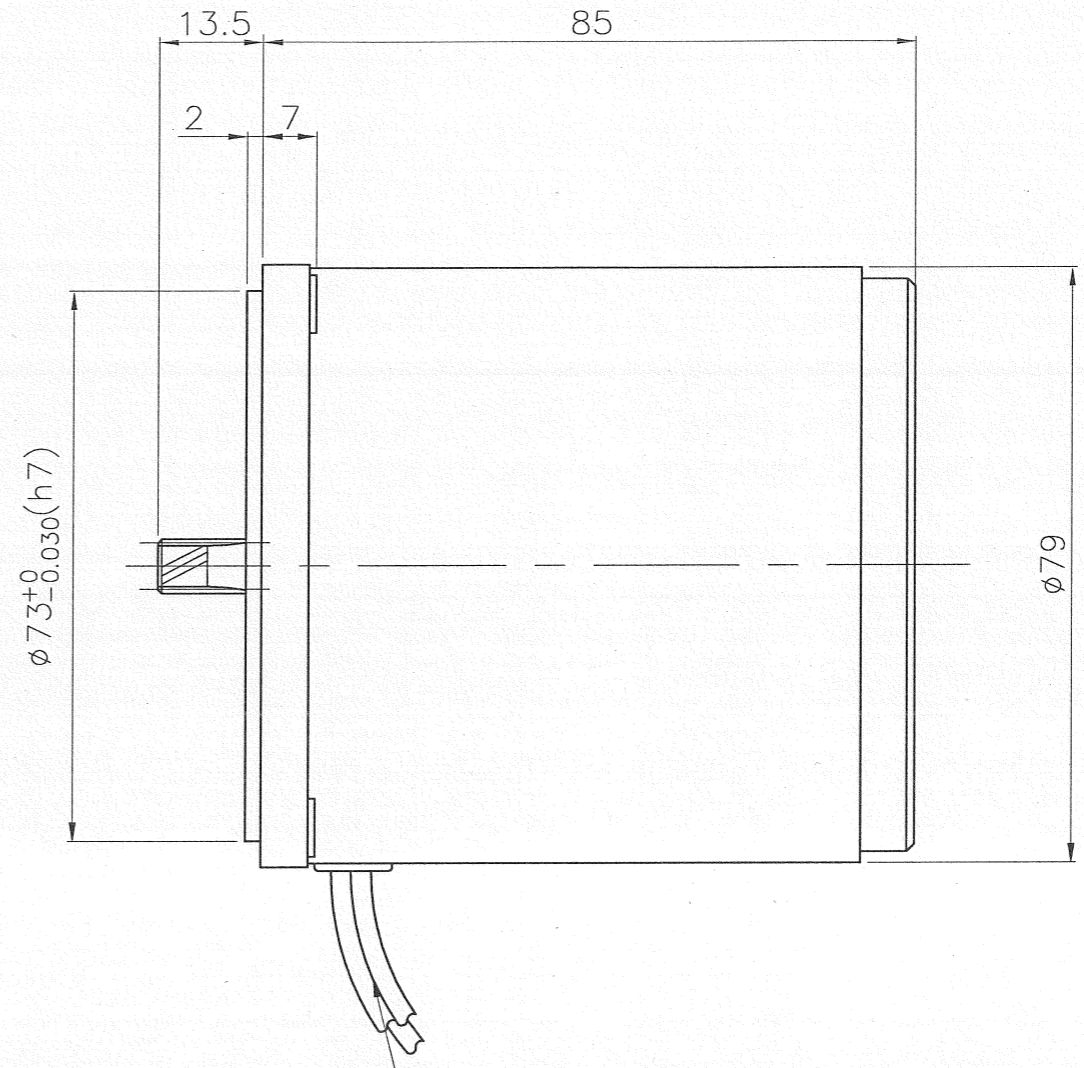
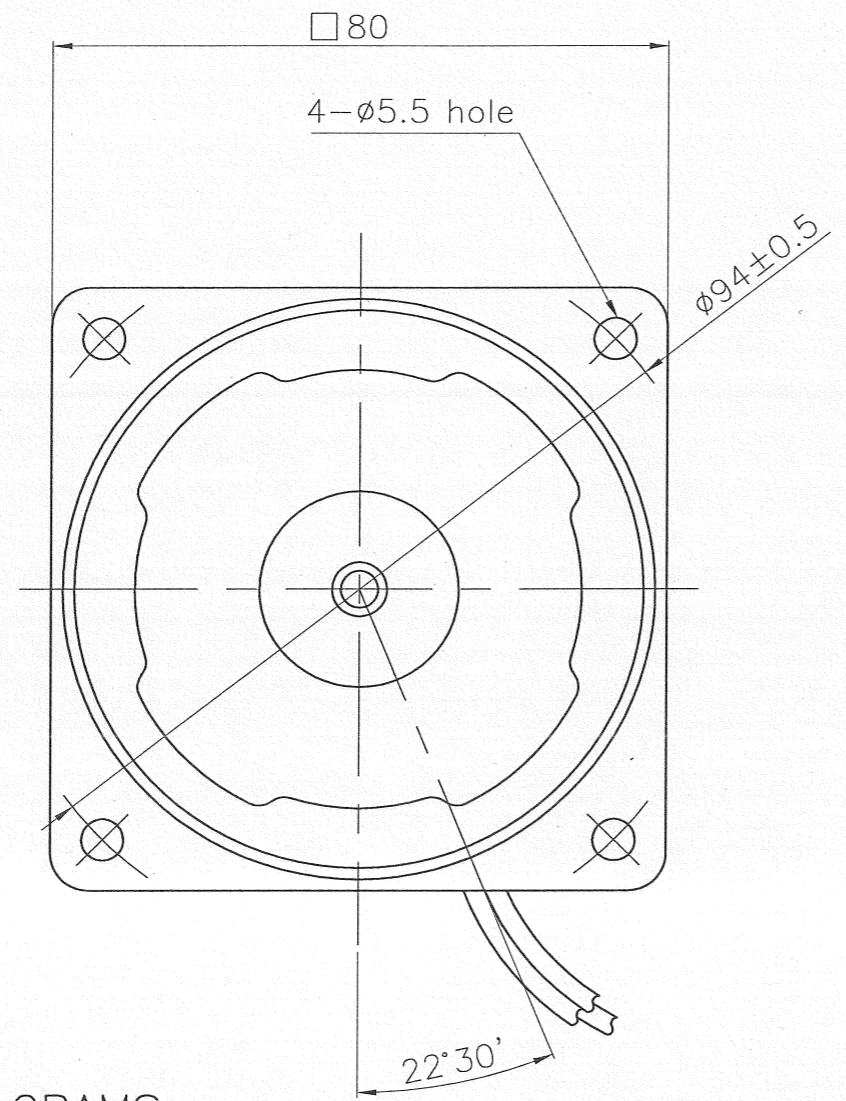


No.	REMARK	REVISION No.	SIGN

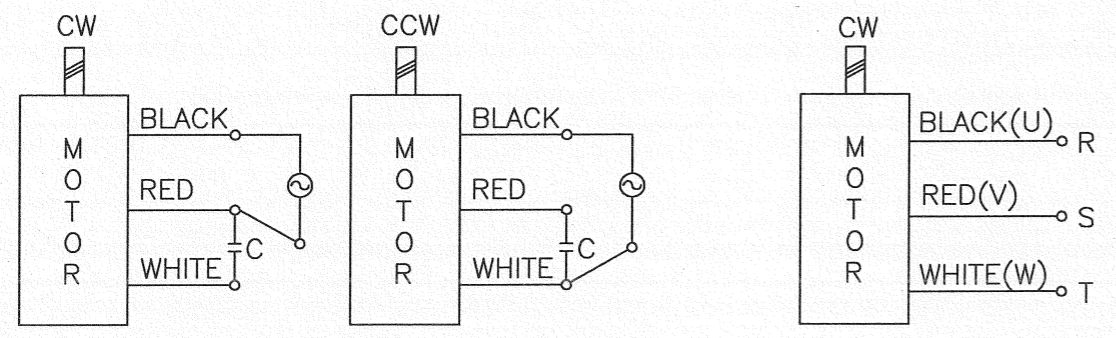


MOTOR LEAD WIRE 300mm
UL Style 3271 , AWG20

■ CONNECTION DIAGRAMS

SINGLE-PHASE MOTOR

THREE-PHASE MOTOR

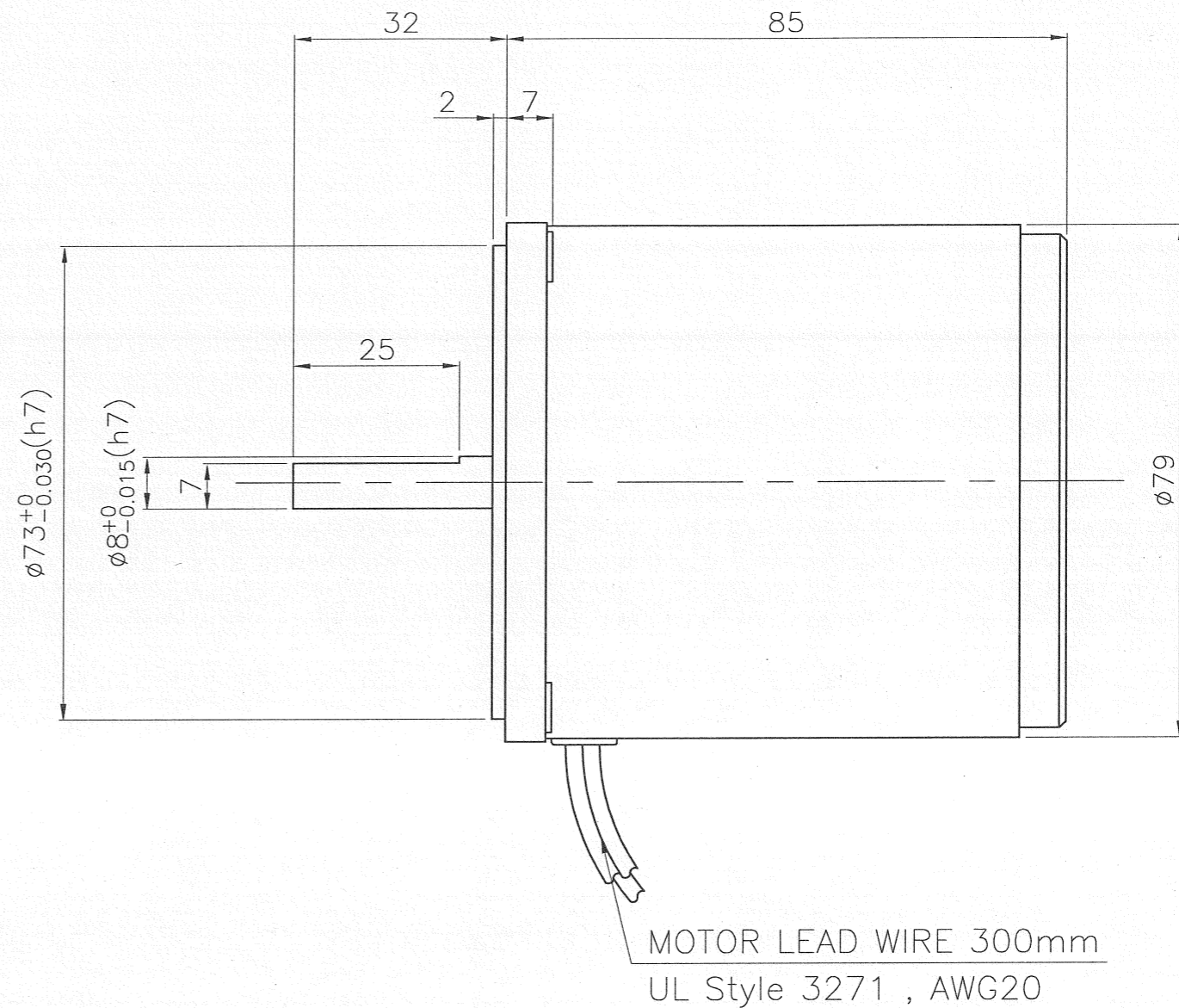
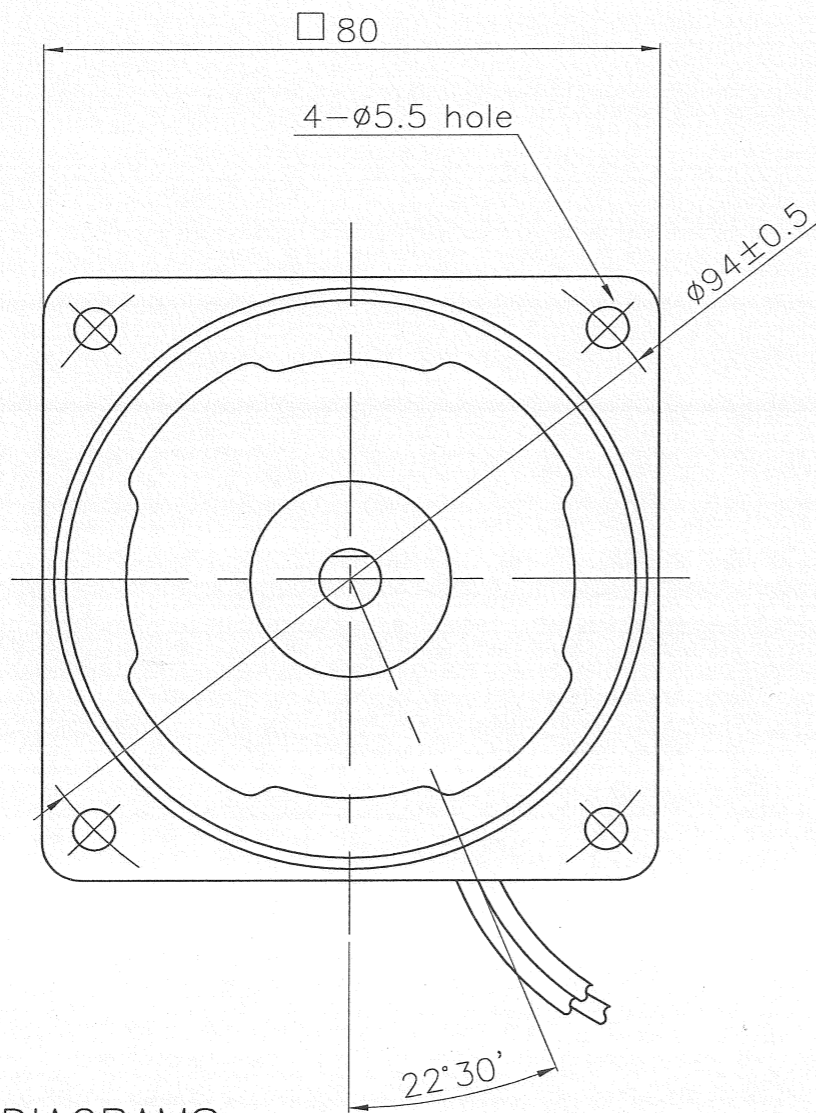


CCW :
To change
any two connections
among U, V and W.

* CW=Clock Wise, CCW=Counter Clock Wise
* The Direction of motor rotation is as viewed from the front shaft end of the motor.
* C = Capacitor = Condenser

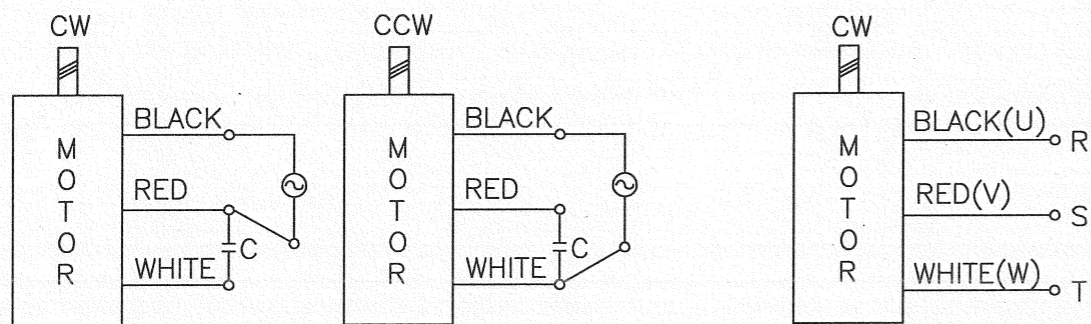
DRAW	12. 11. 7	SCALE : 1/1	PART NAME	OUTLINE
DESIGNED		UNIT : mm		
CHECKED			APPLICATION MODEL	K8□G25N□
APPROVED			DWG NO.	2-0L-00013
 GLOBAL GEARED MOTOR		RELATION DWG.		

No.	REMARK	REVISION No.	SIGN



■ CONNECTION DIAGRAMS
SINGLE-PHASE MOTOR

THREE-PHASE MOTOR

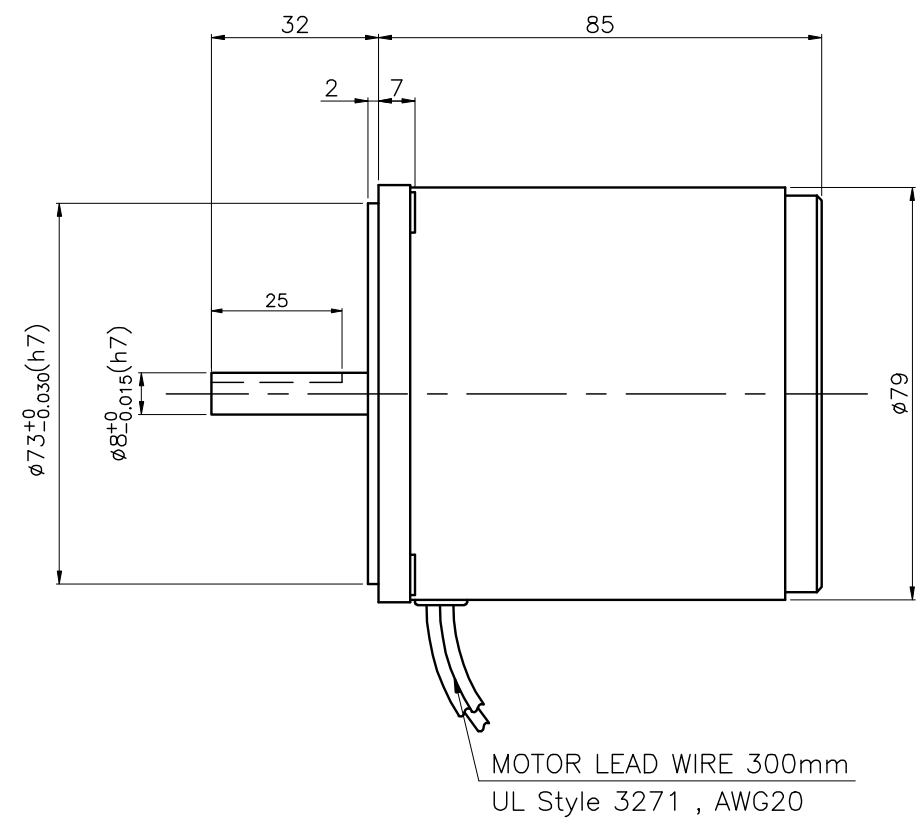
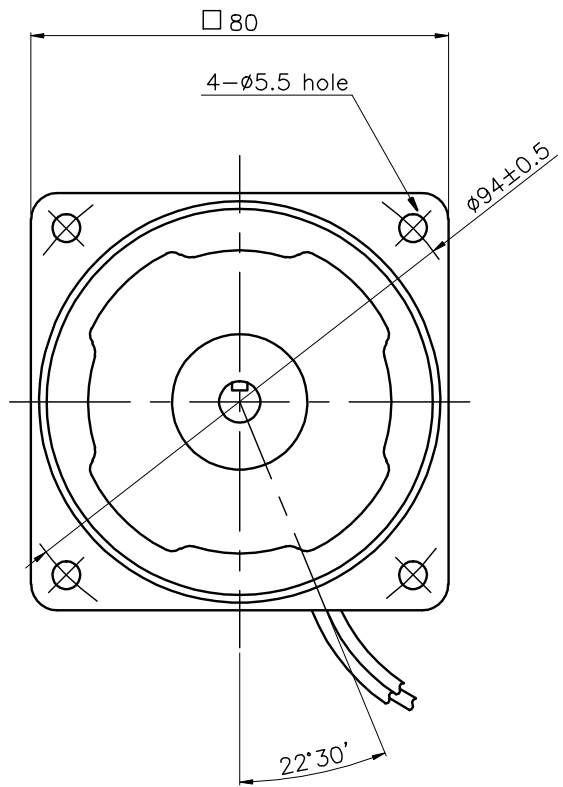


CCW :
To change
any two connections
among U, V and W.

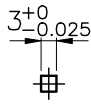
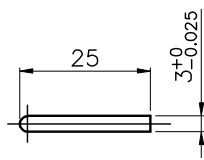
- * CW=Clock Wise, CCW=Counter Clock Wise
- * The Direction of motor rotation is as viewed from the front shaft end of the motor.
- * C = Capacitor = Condenser

DRAW	12. 11. 7	SCALE : 1/1	PART NAME
DESIGNED		UNIT : mm	OUTLINE
CHECKED			APPLICATION MODEL
APPROVED			K8□S25N□
		RELATION DWG.	DWG NO.
			2-OL-00014

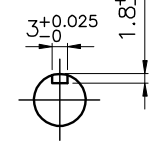
No.	REMARK	REVISION No.	SIGN



◎ KEY



◦ KEY



DRAW		SCALE : 1/1	PART NAME
DESIGNED		UNIT : mm	OUTLINE
CHECKED			APPLICATION MODEL
APPROVED			K8 □ K25N □
		RELATION DWG.	DWG NO.
			2-OL-00813