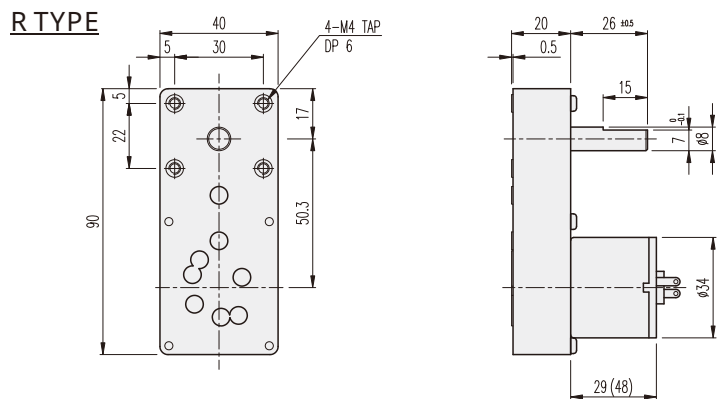
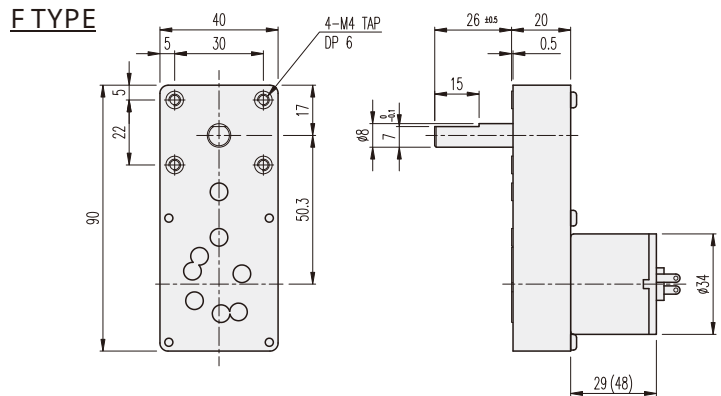
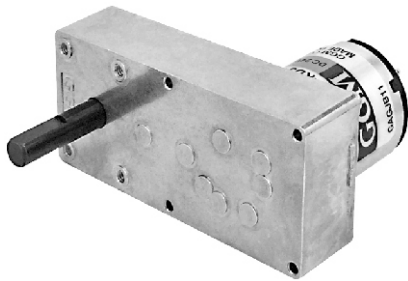


KGG-TYPE

DIMENSIONS

KGG SERIES



AT MAXIMUM EFFICIENCY (KGG-□□□□-KD3429□□)

GEAR	MODEL		KD3429S1		KD3429S2		KD3429T1		KD3429T2		KD3429P1		KD3429P2	
			DC 12V		DC 24V		DC 12V		DC 24V		DC 12V		DC 24V	
	rpm	kgf-cm	rpm	kgf-cm	rpm	kgf-cm	rpm	kgf-cm	rpm	kgf-cm	rpm	kgf-cm	rpm	kgf-cm
1/0078	57.7	2	57.7	2	83	2	83	2	102.5	4	102.5	2		
1/0101	44.6	2.6	44.6	2.6	64.4	2.6	64.4	2.6	79.2	5.2	79.2	2.6		
1/0227	19.8	5.4	19.8	5.4	28.6	5.4	28.6	5.4	35.2	6	35.2	5.4		
1/0512	8.8	6	8.8	6	12.7	6	12.7	6	15.6	6	15.6	6		

AT MAXIMUM EFFICIENCY (KGG-□□□□-KD3448□□)

GEAR	MODEL		KD3448S1		KD3448S2		KD3448T1		KD3448T2		KD3448P1		KD3448P2	
			DC 12V		DC 24V		DC 12V		DC 24V		DC 12V		DC 24V	
	rpm	kgf-cm	rpm	kgf-cm	rpm	kgf-cm	rpm	kgf-cm	rpm	kgf-cm	rpm	kgf-cm	rpm	kgf-cm
1/0078	57.7	4	57.7	4	83	4	83	4	102.5	4	102.5	4		
1/0101	44.6	5.2	44.6	5.2	64.4	5.2	64.4	5.2	79.2	5.2	79.2	5.2		
1/0227	19.8	6	19.8	6	28.6	6	28.6	6	35.2	6	35.2	6		
1/0512	8.8	6	8.8	6	12.7	6	12.7	6	15.6	6	15.6	6		

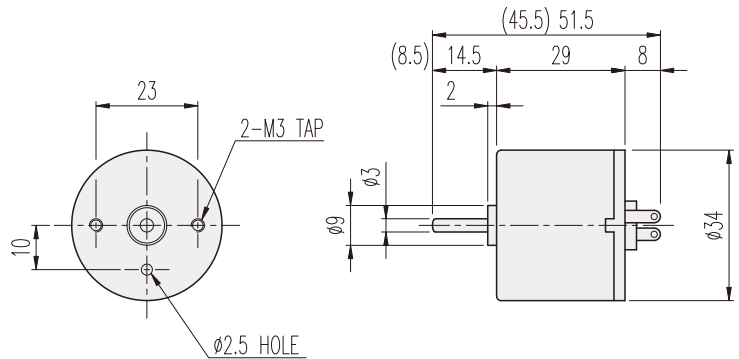
*  彩色齒輪比與電動機的旋轉方向相同。

* 標準是F-TYPE。

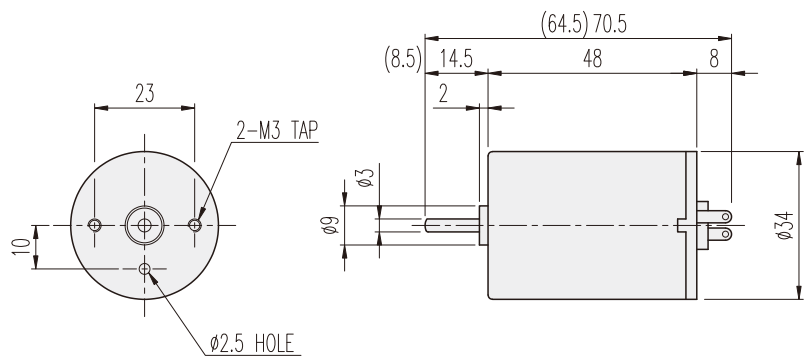
KD□-34□□-TYPE

DIMENSIONS

KD3429□□ SERIES



KD3448□□ SERIES



ENCODER SERIES

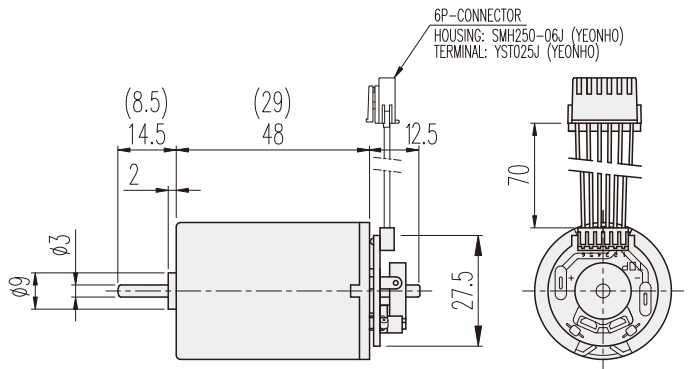
KD3429□□-E & 3448□□-E



6P-CONNECTOR 接线内容

No.1	連接內容	備註
1	DC MOOTR (+) 電源	供電時
2	DC MOOTR (-) 電源	MOTOR CCW - 逆轉
3	H/SENSOR (+) 電源	Vcc (+) DC 5 ~ 24V
4	H/SENSOR (-) 電源	GROUND
5	H/SENSOR #1 OUT	OPEN COLLECTOR MAX. DC 24V -50mA
6	H/SENSOR #1 OUT	

20極10脈衝 INCREMENTAL TYPE



PERFORMANCE DATA

MODEL	ITEM	VOLTAGE (DC)	NO LOAD		AT MAX. EFF.		STALL		WEIGHT (g)	
			mA	rpm	gf-cm	A	rpm	A		gf-cm
KD3429S1		12V	120	5200	40	0.3	4500	1.7	360	90
KD3429S2		24V	70	5200	40	0.2	4500	1	370	
KD3429T1		12V	150	7500	40	0.5	6500	3.8	420	
KD3429T2		24V	80	7500	40	0.2	6500	1.2	320	
KD3429P1		12V	200	9500	80	1	8000	3.8	330	140
KD3429P2		24V	100	9500	40	0.3	8000	2	350	
KD3448S1		12V	150	5200	80	0.5	4500	3.2	830	
KD3448S2		24V	80	5200	80	0.3	4500	2	790	
KD3448T1		12V	220	7500	80	0.7	6500	5	730	
KD3448T2		24V	100	7500	80	0.4	6500	3	700	
KD3448P1		12V	300	9000	80	0.8	8000	5.5	670	
KD3448P2		24V	200	9000	80	0.5	8000	3.5	750	