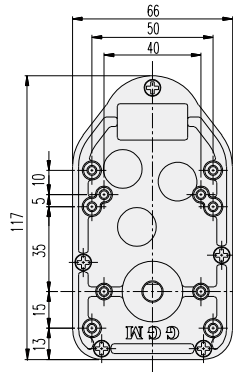
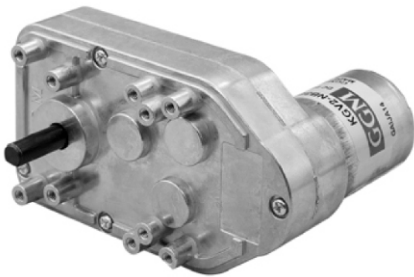


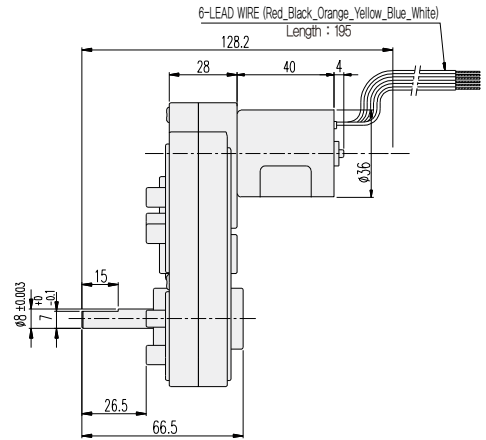
KG V2-TYPE

DIMENSIONS

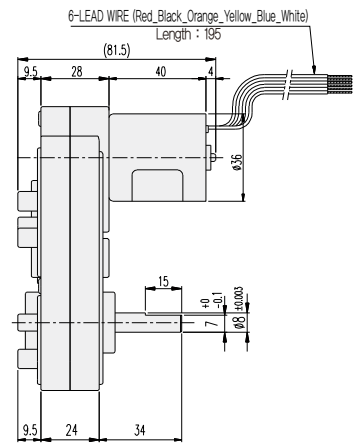
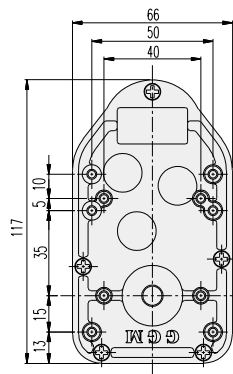
KG V2-3640 BLDC SERIES



F TYPE



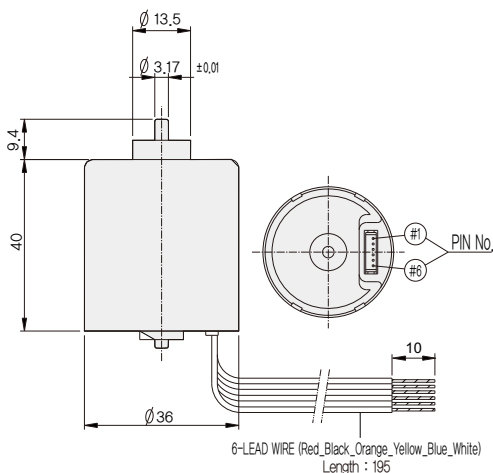
R TYPE



How to connect when speed control is not needed.

No - Color	Pin - Contents	Connection Method
1 - White	Brake	No Use, (-) connectin Brake
2 - Blue	PWM	connecting to (-) power
3 - Yellow	1FG (6P/R)	No Use
4 - Orange	CW/CCW	Normal Open, CCW connecting to (-) power
5 - Black	GND	connecting to (-) power
6 - Red	24V	connecting to (+) power

* 連接不正確的電源 (+) (-) 時，請小心電機，以免造成損壞。



BLDC MOTOR PERFORMANCE DATA

MODEL	ITEM	VOLTAGE (DC)	NO LOAD		AT MAX. EFF.			WEIGHT (g)
			mA	rpm	gf-cm	A	rpm	
KB3640S1	12V	500	5300	150	1.2	4500	145	
								KB3640S2

AT MAXIMUM EFFICIENCY

GEAR	MODEL	KB3640S1		KB3640S2	
		DC 12V		DC 24V	
		rpm	kgf-cm	rpm	kgf-cm
1/0060		75	5.2	65	8.7
1/0070		64.2	6	55.7	10.2
1/0090		50	7.8	43.3	13
1/0105		42.8	9	37	15.3
1/0135		33.3	10.6	28.8	17.7
1/0200		22.5	15.7	19.5	20
1/0350		12.8	20	11	20
1/0500		9	20	7.8	20
1/0660		6.8	20	5.9	20

* 彩色齒輪比與電動機的旋轉方向相同。