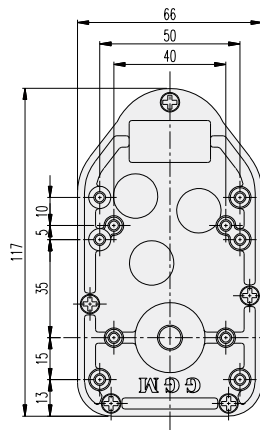
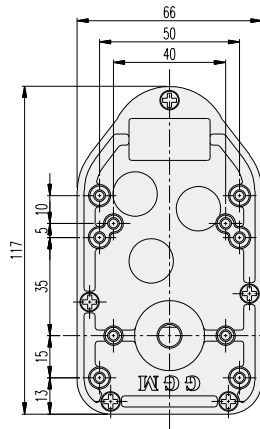
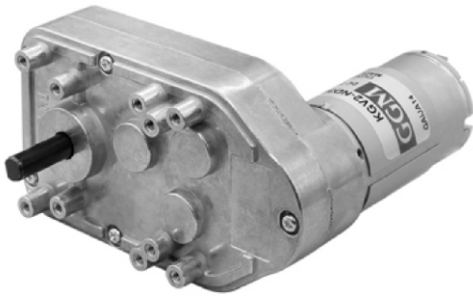


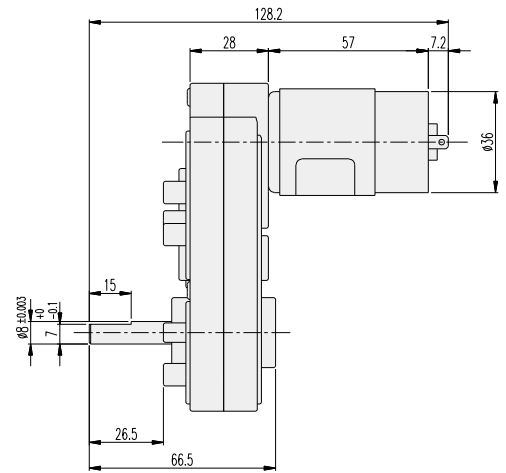
KGV2-TYPE

DIMENSIONS

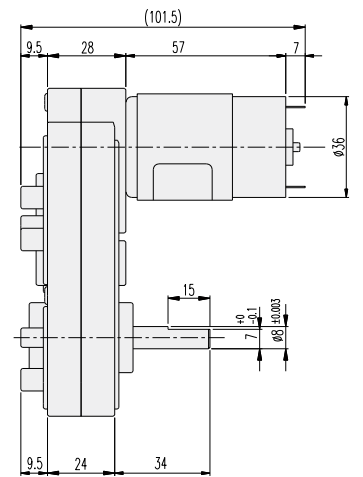
KGV2-3657 SERIES



F TYPE



R TYPE



MOTOR PERFORMANCE DATA

MODEL	ITEM	VOLTAGE (DC)	NO LOAD		AT MAX. EFF.			STALL		WEIGHT (g)
			mA	rpm	gf-cm	A	rpm	A	kgf-cm	
KD3657U1		12V	300	6000	200	1.5	5000	10	1.6	218
KD3657U2		24V	150	6000	200	0.9	5000	5	1.6	

AT MAXIMUM EFFICIENCY

GEAR	MODEL	KD3657U1		KD3657U2	
		DC 12V		DC 24V	
		rpm	kgf-cm	rpm	kgf-cm
1/0060		83.3	6.9	83.3	6.9
1/0070		71.4	8.1	71.4	8.1
1/0090		55.5	10.4	55.5	10.4
1/0105		47.6	12.2	47.6	12.2
1/0135		37	14	37	14
1/0200		25	20	25	20
1/0350		14.2	20	14.2	20
1/0500		10	20	10	20
1/0660		7.5	20	7.5	20

*  彩色齒輪比與電動機的旋轉方向相同。