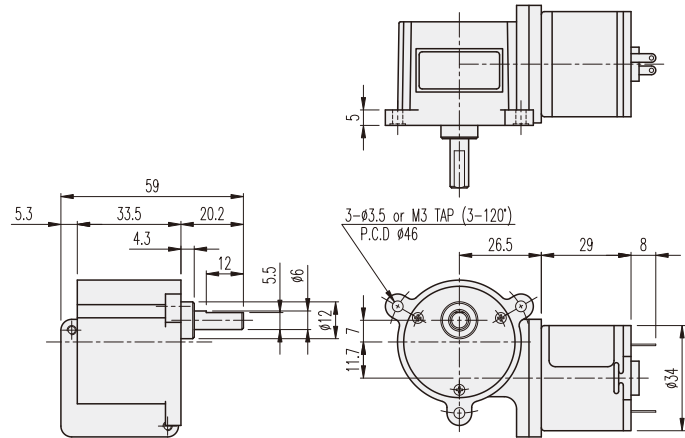
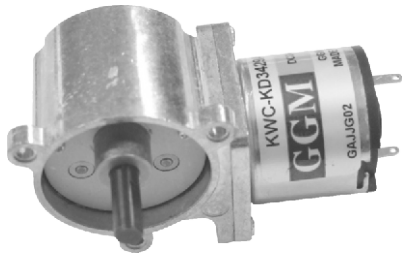


### DIMENSIONS

#### KWC-3429 SERIES



#### AT MAXIMUM EFFICIENCY (KWC-□□□□-KD3429□□)

GEAR	MODEL		KD3429S1		KD3429S2		KD3429T1		KD3429T2		KD3429P1		KD3429P2	
			DC 12V		DC 24V		DC 12V		DC 24V		DC 12V		DC 24V	
	rpm	kgf-cm	rpm	kgf-cm	rpm	kgf-cm	rpm	kgf-cm	rpm	kgf-cm	rpm	kgf-cm	rpm	kgf-cm
1/0025	180	0.2	180	0.2	260	0.2	260	0.2	320	0.4	320	0.2		
1/0030	150	0.3	150	0.3	217	0.3	217	0.3	267	0.5	267	0.3		
1/0050	90	0.4	90	0.4	130	0.4	130	0.4	160	0.9	160	0.4		
1/0060	75	0.5	75	0.5	108	0.5	108	0.5	133	0.9	133	0.5		
1/0075	60	0.6	60	0.6	87	0.6	87	0.6	107	1.2	107	0.6		
1/0100	45	0.8	45	0.8	65	0.8	65	0.8	80	1.6	80	0.8		
1/0125	36	1	36	1	52	1	52	1	64	1.9	64	1		
1/0150	30	1.2	30	1.2	43	1.2	43	1.2	53	2.3	53	1.2		
1/0200	22.5	1.4	22.5	1.4	32.5	1.4	32.5	1.4	40	2.8	40	1.4		
1/0250	18	1.7	18	1.7	26	1.7	26	1.7	32	3.5	32	1.7		
1/0300	15	2.1	15	2.1	21.7	2.1	21.7	2.1	26.7	4.2	26.7	2.1		
1/0375	12	2.6	12	2.6	17.3	2.6	17.3	2.6	21.3	5.2	21.3	2.6		
1/0500	9	3.5	9	3.5	13	3.5	13	3.5	16	6	16	3.5		
1/0600	7.5	3.8	7.5	3.8	10.8	3.8	10.8	3.8	13.3	6	13.3	3.8		
1/0750	6	4.7	6	4.7	8.7	4.7	8.7	4.7	10.7	6	10.7	4.7		
1/0900	5	6	5	6	7.2	6	7.2	6	8.9	6	8.9	6		
1/1050	4.3	6	4.3	6	6.2	6	6.2	6	7.6	6	7.6	6		
1/1350	3.3	6	3.3	6	4.8	6	4.8	6	5.9	6	5.9	6		
1/1500	3	6	3	6	4.3	6	4.3	6	5.3	6	5.3	6		

\*  彩色齒輪比的電動機旋轉方向為CW。(當 (+) 電源連接到電機的 (+) 端子時)

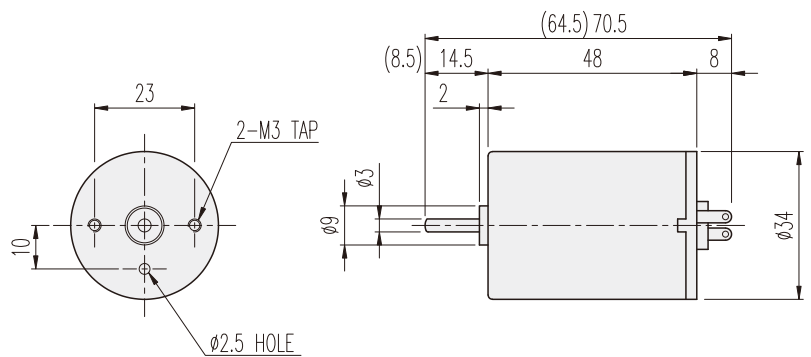
## KD□-34□□-TYPE

### DIMENSIONS

#### KD3429□□ SERIES



#### KD3448□□ SERIES



#### ENCODER SERIES

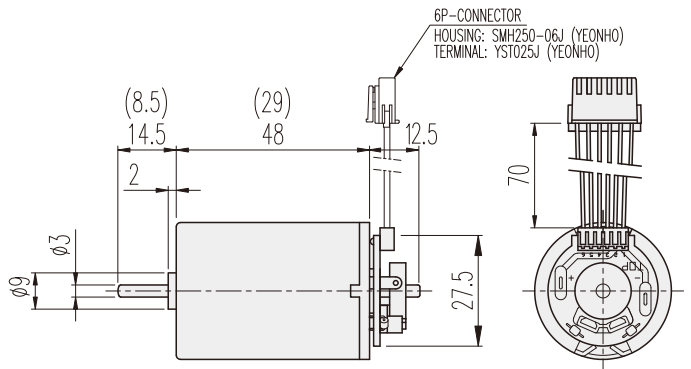
#### KD3429□□-E & 3448□□-E



6P-CONNECTOR 接线内容

No.1	连接内容	备注
1	DC MOOTR (+) 电源	供电时
2	DC MOOTR (-) 电源	MOTOR CCW - 逆转
3	H/SENSOR (+) 电源	Vcc (+) DC 5 ~ 24V
4	H/SENSOR (-) 电源	GROUND
5	H/SENSOR #1 OUT	OPEN COLLECTOR MAX. DC 24V -50mA
6	H/SENSOR #1 OUT	

20極10脈衝 INCREMENTAL TYPE



#### PERFORMANCE DATA

MODEL	ITEM	VOLTAGE (DC)	NO LOAD		AT MAX. EFF.		STALL		WEIGHT (g)
			mA	rpm	gf-cm	A	rpm	A	
90	KD3429S1	12V	120	5200	40	0.3	4500	1.7	360
	KD3429S2	24V	70	5200	40	0.2	4500	1	370
	KD3429T1	12V	150	7500	40	0.5	6500	3.8	420
	KD3429T2	24V	80	7500	40	0.2	6500	1.2	320
140	KD3429P1	12V	200	9500	80	1	8000	3.8	330
	KD3429P2	24V	100	9500	40	0.3	8000	2	350
	KD3448S1	12V	150	5200	80	0.5	4500	3.2	830
	KD3448S2	24V	80	5200	80	0.3	4500	2	790
	KD3448T1	12V	220	7500	80	0.7	6500	5	730
	KD3448T2	24V	100	7500	80	0.4	6500	3	700
	KD3448P1	12V	300	9000	80	0.8	8000	5.5	670
	KD3448P2	24V	200	9000	80	0.5	8000	3.5	750