

ICE MAKER MOTOR

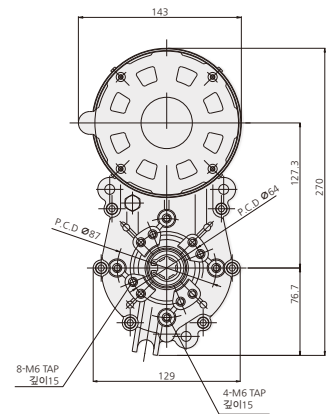
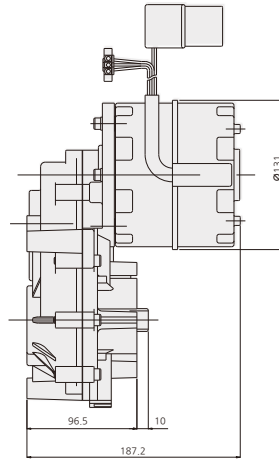
80W

Ø120mm

CONNECTOR TYPE

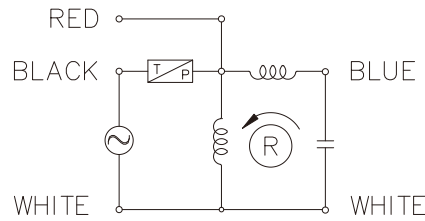
DIMENSIONS

K12IP80N□ + KGO SERIES



WORM REDUCER / ICE MAKER MOTOR

CONNECTION DIAGRAMS



从出力轴侧看时CCW

SPECIFICATIONS

80W 连续正格，4极

Model	Voltage (V)	Frequency (Hz)	Current (A)	Start T. (N·m/kgf·cm)	Rated T. (N·m/kgf·cm)	Speed (rpm)	Condenser (μF)
K12IP80NJ	100	50	1.6	0.38/3.8	0.56/5.6	1400	25
		60			0.47/4.7	1670	
K12IP80NC	220	50	0.8	0.38/3.8	0.56/5.6	1400	6
		60	0.75		0.47/4.7	1670	

AT Rated

FREQ(Hz)	50		60		50		60		50		60		50		60	
MODEL KGO 207C	RPM	Kg·m	RPM	Kg·m	RPM	Kg·m	RPM	Kg·m	RPM	Kg·m	RPM	Kg·m	RPM	Kg·m	RPM	Kg·m
1/207	6.8	8.0	8.1	8.0												